

ITEM#	DESCRIPTION	MATERIAL	PART NUMBER	MAT.	PART NUMBER	QTY.
133	CASING	POLYPRO	133P400368-576	PVDF	133P400368-383	1
430	IMPELLER ASSY.	POLYPRO	SEE TABLE	PVDF	SEE TABLE	1
562	DRIVEN MAGNET	POLYPRO	SEE TABLE	PVDF	SEE TABLE	1
250	DISK	SS	250P202089-685	---	---	1
031	BASKET	POLYPRO	031P301435-580	PVDF	031P301435-384	1
662	CHAMBER	POLYPRO	662P400369-576	PVDF	662P400369-383	2
033	BAFFLE	POLYPRO	033P301433-580	PVDF	033P301433-384	1
010	ADAPTER	NORYL	010P400367-513	---	---	1
180	CUP	POLYPRO	180P400373-576	PVDF	180P400373-383	1
660	DRAIN PLUG	POLYPRO	660P2020831-576	PVDF	660P2020831-383	1
050	BRACKET	NORYL	050P202091-513	---	---	1
140	CHAMBER COVER	POLYPRO	140P301432-576	PVDF	140P301432-383	2
850	SHAFT	CERAMIC	850P102528-150	---	---	1
590	O-RING	VITON	590P2111-830	EPDM	590P2111-216	1
130	CLAMP	SS	130P102534-680	---	---	2
130A	CLAMP	SS	130P102533-680	---	---	2
590A	O-RING	VITON	590P2223-830	EPDM	590P2223-216	2
790	BOLT	SS	790P0220106-680	---	---	6
990	WASHER	SS	990P0205-680	---	---	10
610	NUT	SS	610P0220-680	---	---	2
790A	BOLT	SS	790P031606-680	---	---	4
990A	THRUST WASHER	CERAMIC	990P101934-150	---	---	2
590B	O-RING	VITON	590P2246-830	EPDM	590P2246-216	1
391	HANDLE	POLYPRO	391P201350-576	PVDF	391P201350-384	1
590C	O-RING	VITON	590P2237-830	EPDM	590P2237-216	2
080	BUSHING	CARBON	080P102025-100	SIL-CAR	080P1021221-755	1
080A	BUSHING	CARBON	080P102529-100	SIL-CAR	080P102529-755	1
561	DRIVE MAGNET	---	561P202085-520	---	---	1
790B	BOLT	SS	790P0220204-680	---	---	1
790C	BOLT	SS	790P022006-680	---	---	1
990B	WASHER	SS	990P3968706-680	---	---	4
800	SET SCREW	STEEL	800P022004-720	---	---	2
040	BASEPLATE	FRP/SS	040P2022292A-240	---	---	1

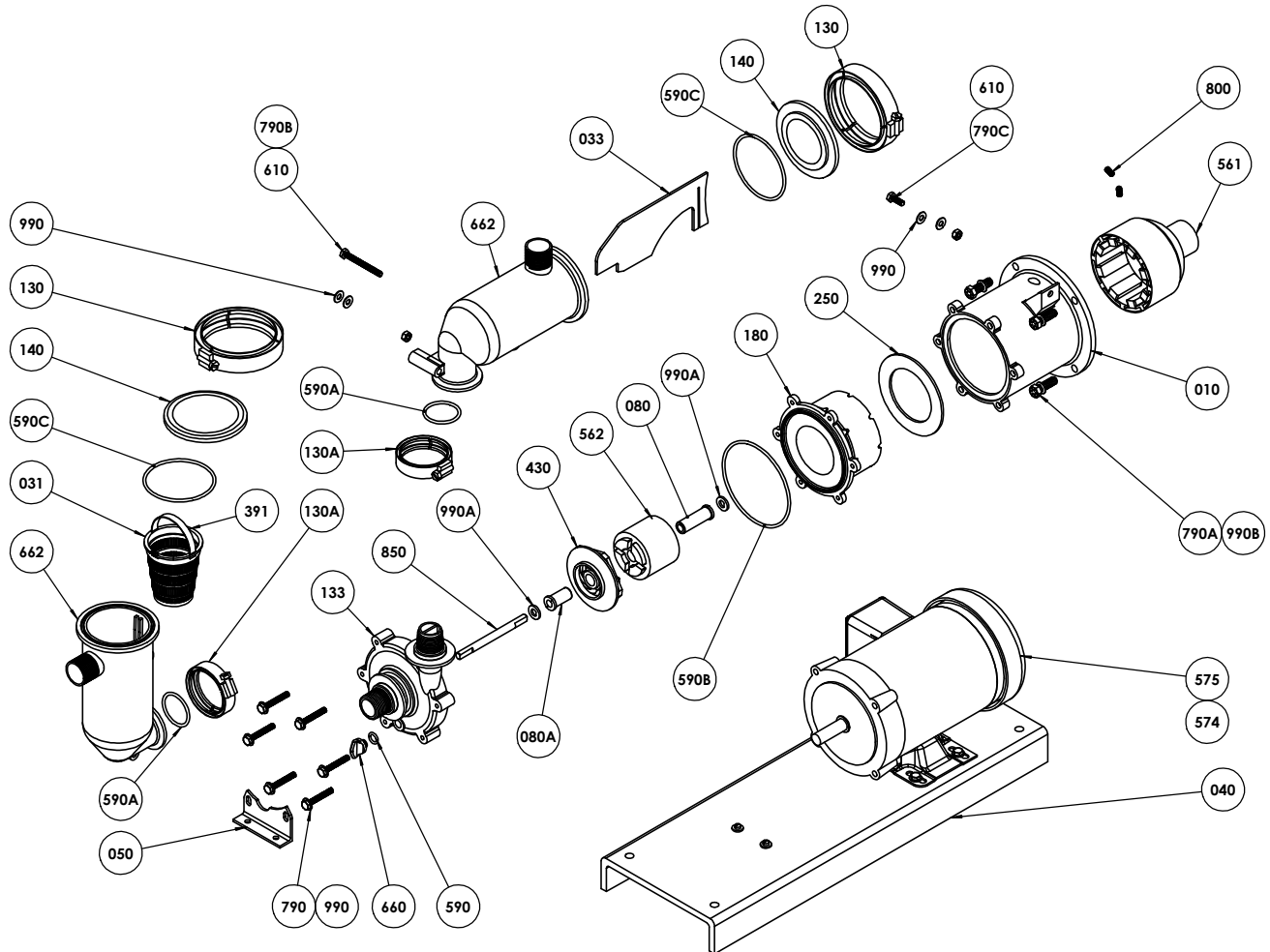
IMPELLER MATERIAL	MODEL	CARBON/SIL-CARB
POLYPRO	510	430P301450-579/573
	525	430P301451-579/573
	550	430P301452-579/573
PVDF	510	430P301450-381/386
	525	430P301451-381/386
	550	430P301452-381/386

MOTORS

ITEM#	TEFC	1 PH	ITEM#	3PH
575*	1/4	*575P00K12113D4E	---	---
575*	1/3	*575P00L12113D4E	---	---
575*	1/2	*575P00M32313D4E	574	574P00M35333D40
575*	3/4	*575P00N32313D4E	574	574P00N35333D40

*-FOR 230V. 1 PHASE WIRED MOTOR CHANGE FIRST 3 DIGITS FROM 575 TO 576

DRIVEN MAGNET	MODEL	CARBON/SIL-CAR
	POLY	562P301431-579/573
	PVDF	562P301431-381/386



**PMSP-500
SELF PRIMER MAG DRIVE**